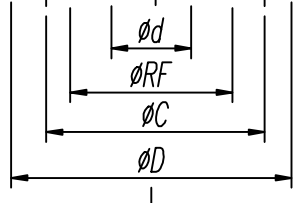
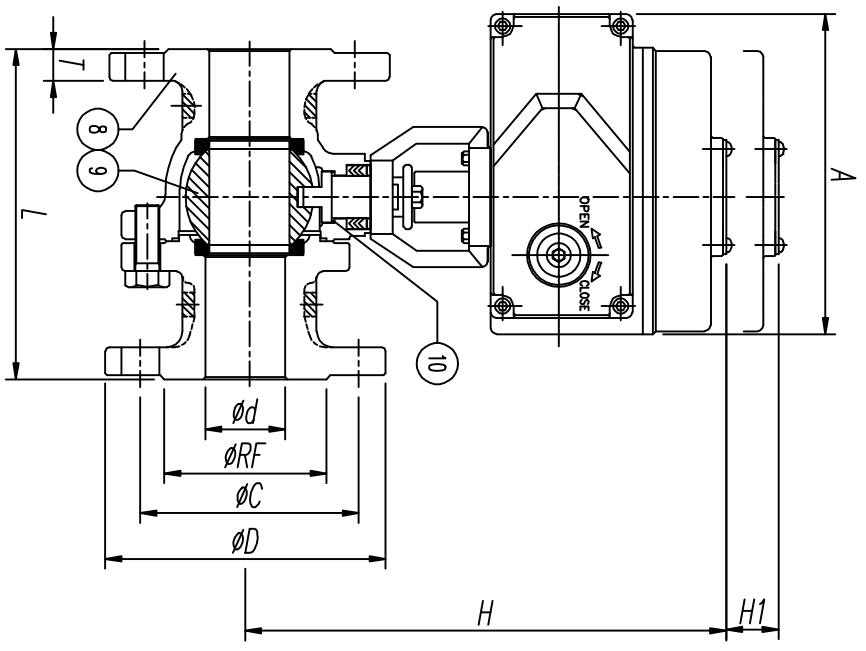
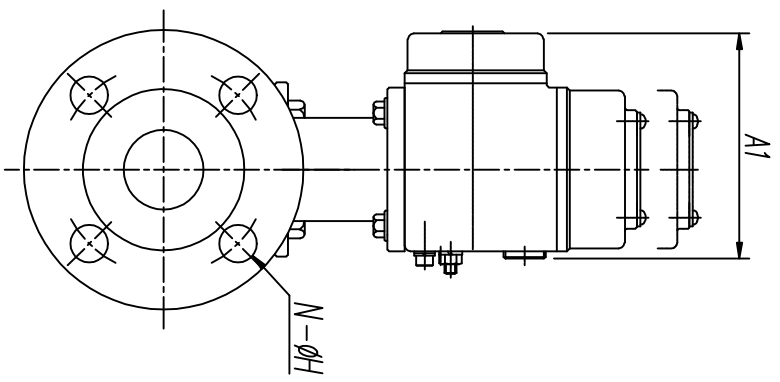
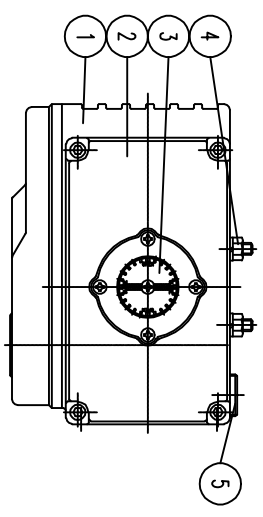


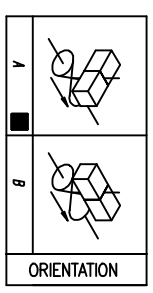
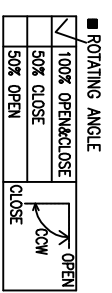
04-1

FOR APPROVAL



NO.	PART NAME	QTY	MATERIAL	REMARK
1	BODY	1	ADC12	
2	TOP COVER	1	ADC12	
3	WINDOW	1	PC	
4	STOPPER BOLTS	2	SUS316	M6*45
5	CONDUIT ENTRIES	2		M20*1.5
6	BASE	1	ADC12	
7	DRIVE BUSHING	1	ABC3	
8	VALVE-BODY	1	SCS13	
9	VALVE-BALL	1	SUS304	
10	VALVE-SEAT	1	PTFE	
11				
12				
13				
14				
15				

TAG NO.

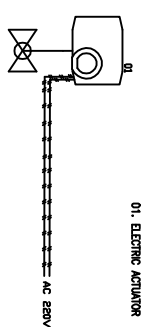


■ DIMENSION

MODEL	QTY	ACTUATOR		H (APPROX.)	H1	L±0.5	END CONNECTION						N-ØH
		A	A1				T	Ød	ØRF	ØC	ØD	N-Øh	
KTQ0080-40F	-	160	121	246	40	165	16	40	85	105	140	4-19	
KTQ0040-32F	-	113.5	121.8	248	-	140	16	32	80	100	135	4-19	
KTQ0040-25F	-	113.5	121.8	245	-	127	14	25	70	90	125	4-19	
KTQ0040-20F	-	113.5	121.8	236	-	117	14	20	58	75	100	4-15	
KTQ0040-15F	-	113.5	121.8	233	-	108	12	15	52	70	95	4-15	

JIS 10K RF(mm)

■ INSTALLATION SCHEMATIC



01. ELECTRIC ACTUATOR

AC 250V

Rev.	Date	Description	Pre-d	Che'd	App'd
Designed by					
Checked by					
Approved by					

ELECTRIC FLANGE BALL VALVE

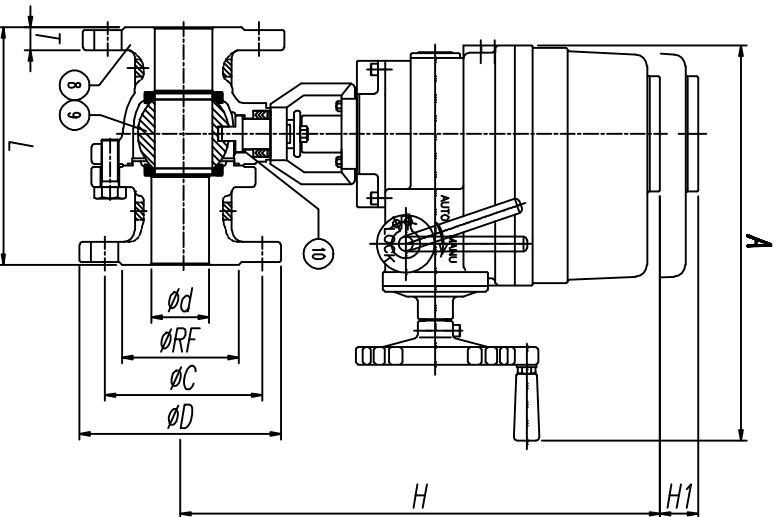
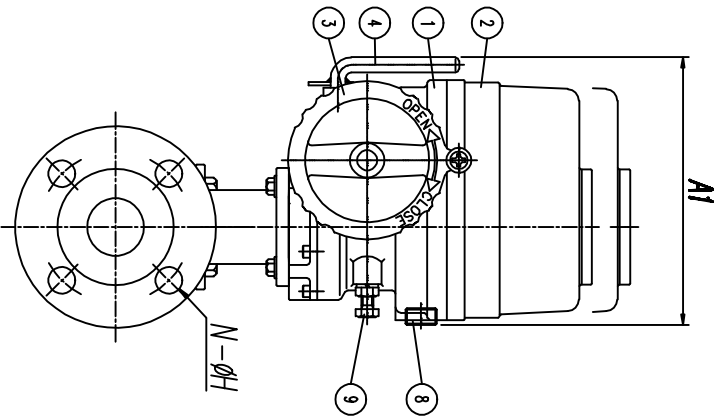
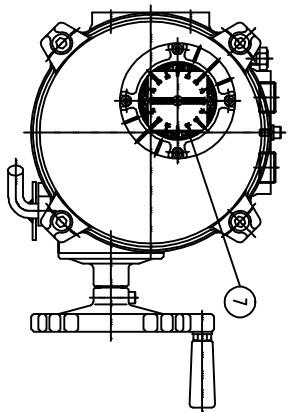
Model KTQ0040-15F ~ KTQ0080-40F

Drawing no. A110214-01-04 Size A4 Scale N:S Unit mm



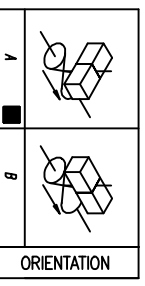
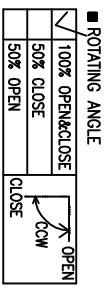
04-2

FOR APPROVAL



NO.	PART NAME	QTY	MATERIAL	REMARK
1	BODY	1	AC2B	AC4C
2	TOP COVER	1	AC2B	AC4C
3	HANDLE	1	AC2B	
4	LEVER	1	SM45C	SUM24L
5	BASE	1	GC250	
6	DRIVE BUSHING	1	SM45C	
7	INDICATOR	1	PC	
8	CONDUIT ENTRIES	2		PC3/4"
9	STOPPER BOLTS	2	SUS316	M10*55
10	VALVE-BODY	1	SCS13	
11	VALVE-BALL	1	SUS304	
12	VALVE-SEAT	1	PTFE	
13				
14				
15				

TAG NO.



Rev.	Date	Description	Pre.d	Che.d	App.d

Designed by \_\_\_\_\_ Checked by \_\_\_\_\_  
 Q1. KM \_\_\_\_\_ Approved by \_\_\_\_\_

Title  
ELECTRIC FLANGE BALL VALVE

Model  
KTQ0080-50F ~ KTQ0500-125F

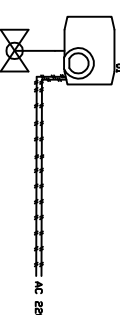
Drawing no. A110214-01-04  
 Size A4  
 Scale N:S  
 Unit mm



JIS 10K RF(mm)

■ INSTALLATION SCHEMATIC

01. ELECTRIC ACTUATOR

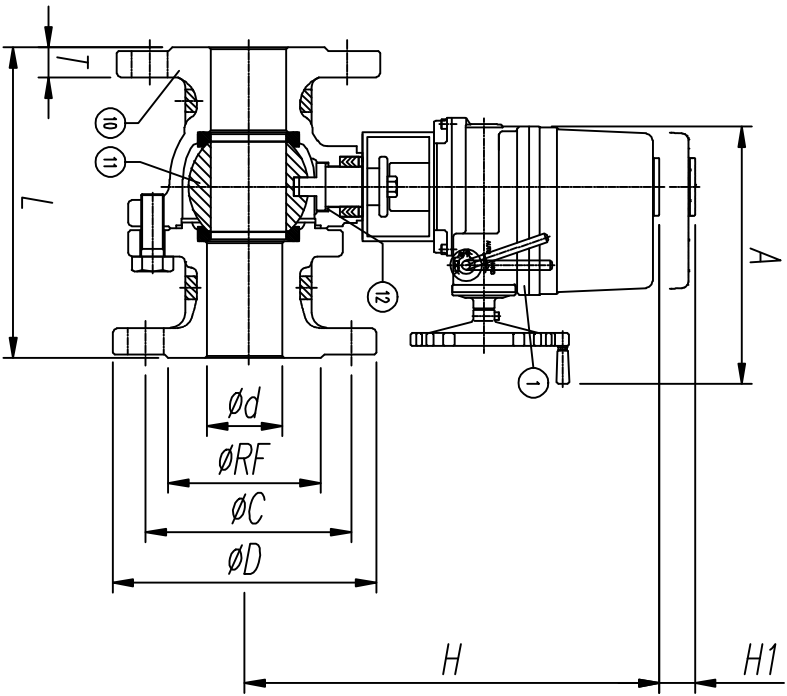
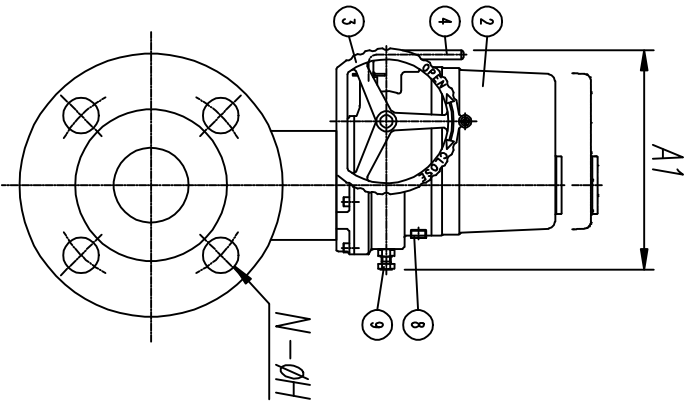
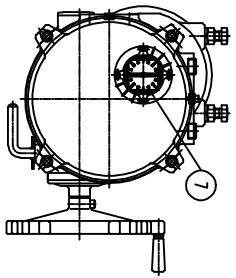


■ DIMENSION

MODEL	QTY	ACTUATOR		H (APPROX.)	H1	L±0.5	END CONNECTION						0 (WANT-ENCS)	+ (MIN WALL THICKNESS)	WEIGHT (APPROX.)
		A	A1				T	Ød	ØRF	ØC	ØD	N-ØH			
KTQ0500-125F	-	357	244	533	145	356	20	125	185	210	250	8-23			
KTQ0350-100F	-	357	244	492	145	229	18	100	155	175	210	8-19			
KTQ0180-80F	-	338	229	450	125	203	18	80	130	150	185	8-19			
KTQ0160-65F	-	338	229	406	125	190	18	65	120	140	175	4-19			
KTQ0080-50F	-	180	121	256	40	178	16	50	100	120	155	4-19			

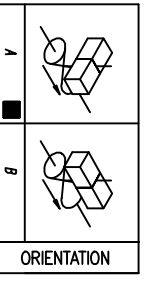
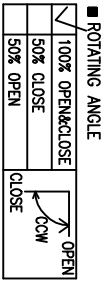
04-3

FOR APPROVAL



NO.	PART NAME	QTY	MATERIAL	REMARK
1	BODY	1	AC2B	AC4C
2	TOP COVER	1	AC2B	AC4C
3	HANDLE	1	AC2B	
4	LEVER	1	SM45C	SUM24L
5	BASE	1	GC250	
6	DRIVE BUSHING	1	SM45C	
7	INDICATOR	1	PC	
8	CONDUIT ENTRIES	2		PC3/4"
9	STOPPER BOLTS	2	SUS316	M16*80
10	VALVE-BODY	1	SCS13	
11	VALVE-BALL	1	SUS304	
12	VALVE-SEAT	1	PTFE	
13				
14				
15				

TAG NO.



Rev.	Date	Description	Pre.d	Che.d	App.d

Designed by \_\_\_\_\_ Checked by \_\_\_\_\_ Approved by \_\_\_\_\_

CL. KM

Title  
ELECTRIC FLANGE BALL VALVE

Model  
KTQ500-150F ~ KTQ3000-350F

Drawing no.	Size	Scale	Unit
A110214-01-04	A4	N:S	mm

**TAESUNG**  
http://www.taesung.co.kr

■ DIMANSION

MODEL	QTY	ACTUATOR		H (APPROX.)	H1	L±0.5	END CONNECTION						ØD	N-ØH	WANT-ENCS (0)	MIN WALL THICKNESS (+)	WEIGHT (APPROX.)
		A	A1				T	Ød	ØRF	ØC	ØD						
KTQ3000-350F	-	357	293	1350	225	686	26	350	415	445	490	16-25					
KTQ3000-300F	-	357	293	1300	225	610	24	300	375	400	445	16-25					
KTQ2000-250F	-	357	293	920	225	533	24	250	325	355	400	12-25					
KT1100-200F	-	357	284	700	170	457	22	200	265	290	330	12-23					
KTQ500-150F	-	357	244	578	145	394	22	150	215	240	280	8-23					

JIS 10K RF(mm)

■ INSTALLATION SCHEMATIC

01. ELECTRIC ACTUATOR

